

Reymond Products International, Inc. Order Form

Company: _____

Plant Location: _____

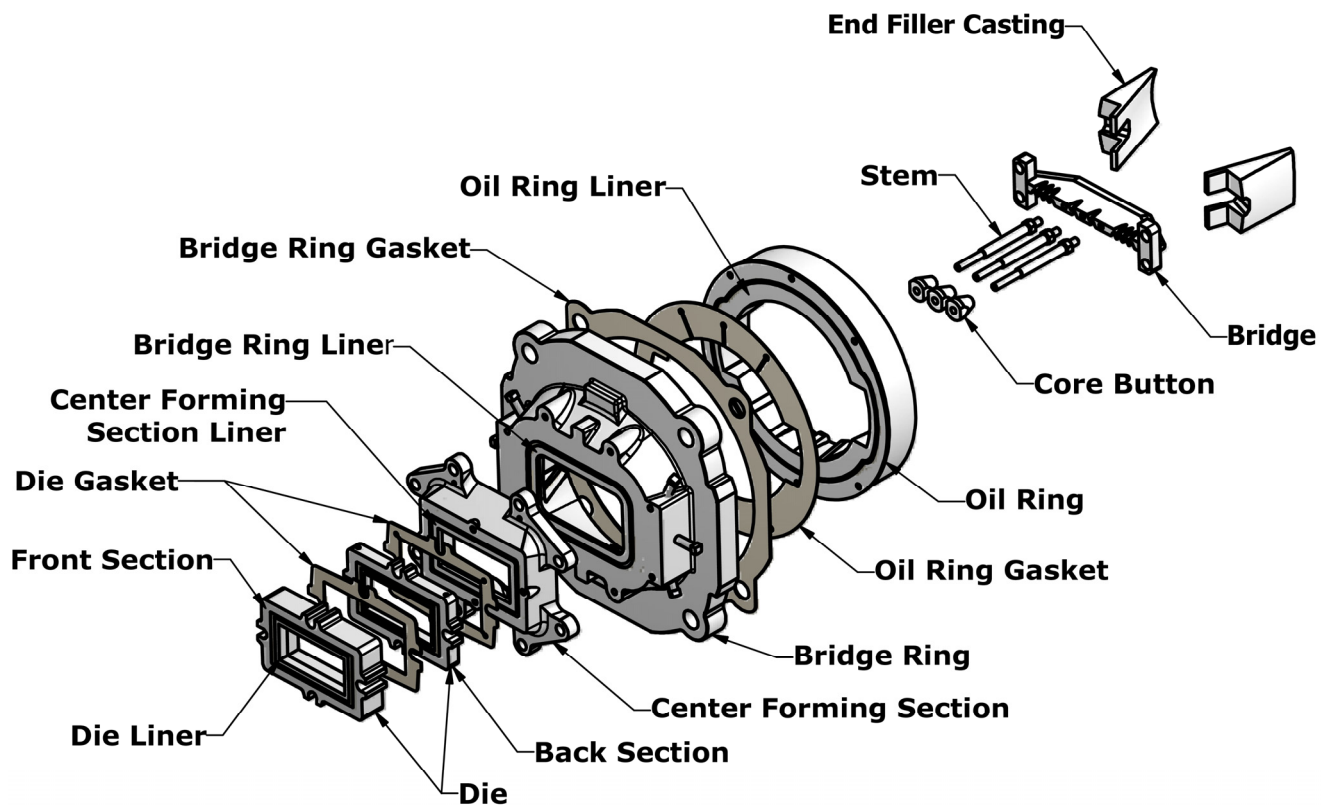
Contact Name: _____

Purchase Order: _____

Signature: _____

Phone Number: _____

* Repeat existing Invoice Number: _____



* Not Applicable for New Customers

Fax: 330-339-6809
Phone: 330-339-3583