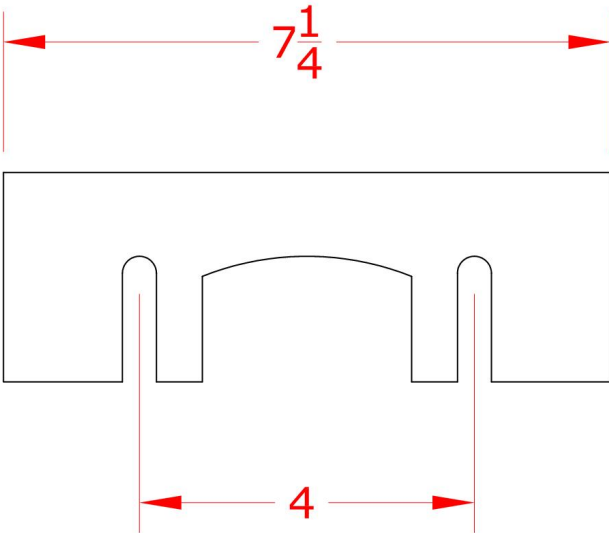


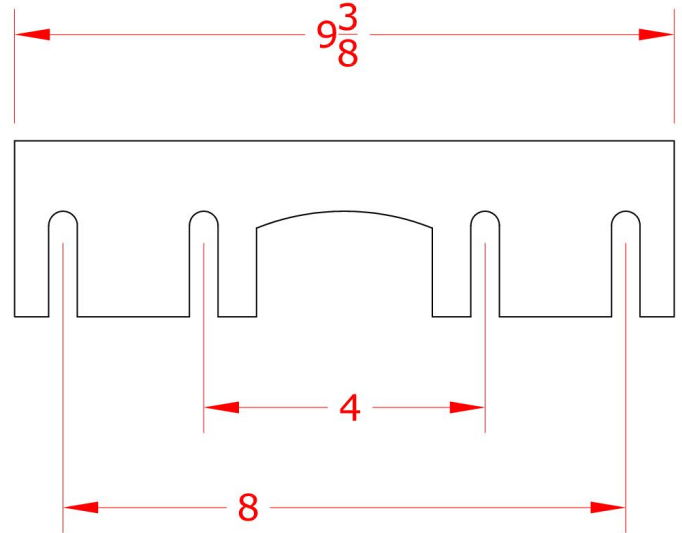
**C.**

**Reymond Products International, Inc.  
Scoring Order Form**

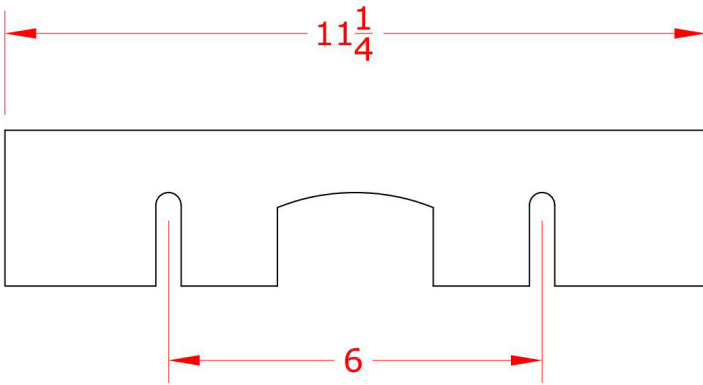
Please sketch desired scoring pattern on examples below:



**Modular/Queen Scoring Tool**



**Utility Scoring Tool**



**King Size Scoring Tool**



**Built-In Scoring**

\* Not Applicable for New Customers

**Fax: 330-339-6809  
Phone: 330-339-3583**