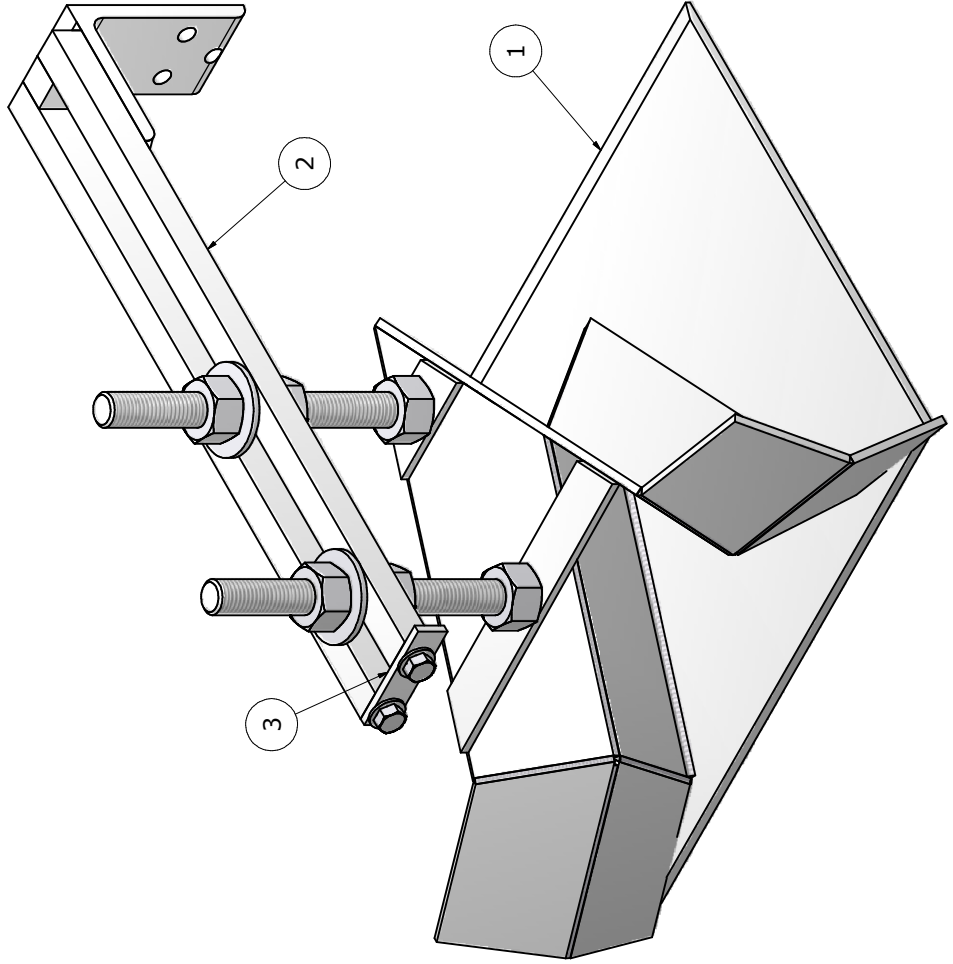


Part List

| Item | Quantity | Part No. | Description |
|------|----------|-------------|-----------------------------|
| 1 | 1 | RP1417-5 | Scrap Plow |
| 2 | 1 | RP1417-4 | Scrap Plow Mounting Bracket |
| 3 | 1 | RP1417-4(D) | Locking Hook |



TRADE SECRETS
CONFIDENTIAL INFORMATION

All information contained herein constitutes trade secrets, is the exclusive property of Raymond Products, and may not be used other than for the sole benefit of Raymond Products. This information may not be disclosed to any other person or entity. This material may not be copied or reproduced in any fashion, and should not be removed from this immediate area.